

## *FriGoPackEC* FU+ Easy Commissioning of Refrigeration Systems with WURM Controllers

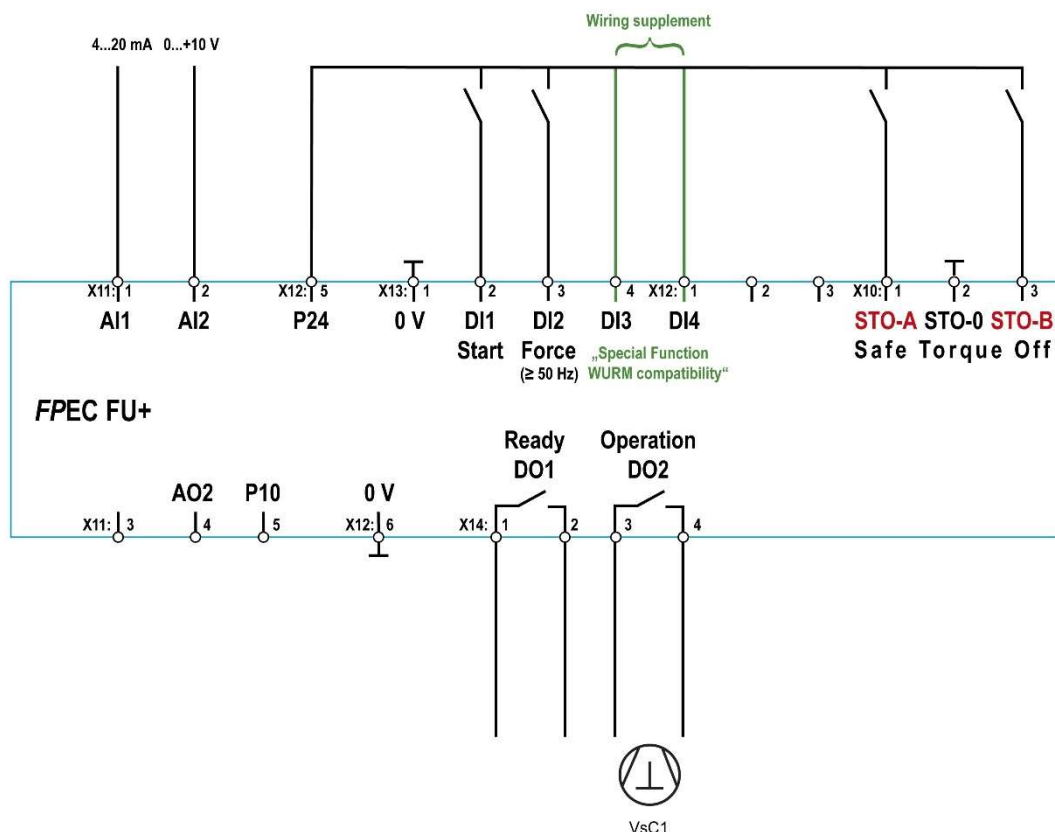
### MOTIVES

- WURM control systems are often used in modern European supermarkets for automatic control of both, refrigeration and building control systems.
- The refrigeration system is one of the largest energy consumers. In order to achieve constant and steady operation, the main compressor is often speed-controlled by a refrigeration frequency inverter. Compressor speed is often actuated with a 0...+10 V control signal.
- Refrigeration technicians and engineers appreciate easy commissioning procedures concerning refrigeration frequency inverters (without expert parameter setting).
- *FriGoPackEC* FU+ Refrigeration Frequency Inverters as from version /12 include an enhanced software for an automatic adaption of control parameters and times. Minimum additional wiring is required (see below).

### WIRING SUPPLEMENT FOR WURM COMPATIBILITY

Additional wiring connections are shown in green as follows:

**P24 (X12:5)** has to be connected with **DI3 (X13:4)** and with **DI4 (X12:1)**.



If the inverter is installed outside an electrical enclosure (wall-mounted), 3 functional earths  $\perp$  have to be connected with the housing.

### AUTOMATIC TIME SETTINGS

- 70:VsC\_tinhibit\_\_TIME: 0 s
- 71:VsC\_tlubrctn\_\_TIME: 0 s
- 72:VsC\_thld\_fmin\_\_TIME: 0 s
- Start delay is reduced.

It is not necessary to adapt time settings manually.

### AUTOMATIC SETTING OF OUTPUT SIGNAL „READY“

Relay output „Ready“ depends on the following factors:

- No faults on *FriGoPack* (standard)
- Digital input STO (Safe-Torque-Off) is not activated by the safety circuit (standard)
- Auto-restart logic has not yet reset an incoming fault message

### ANY QUESTIONS OR PROBLEMS?

Contact our applications team by phone or email ([applications@frigokimo.com](mailto:applications@frigokimo.com)).