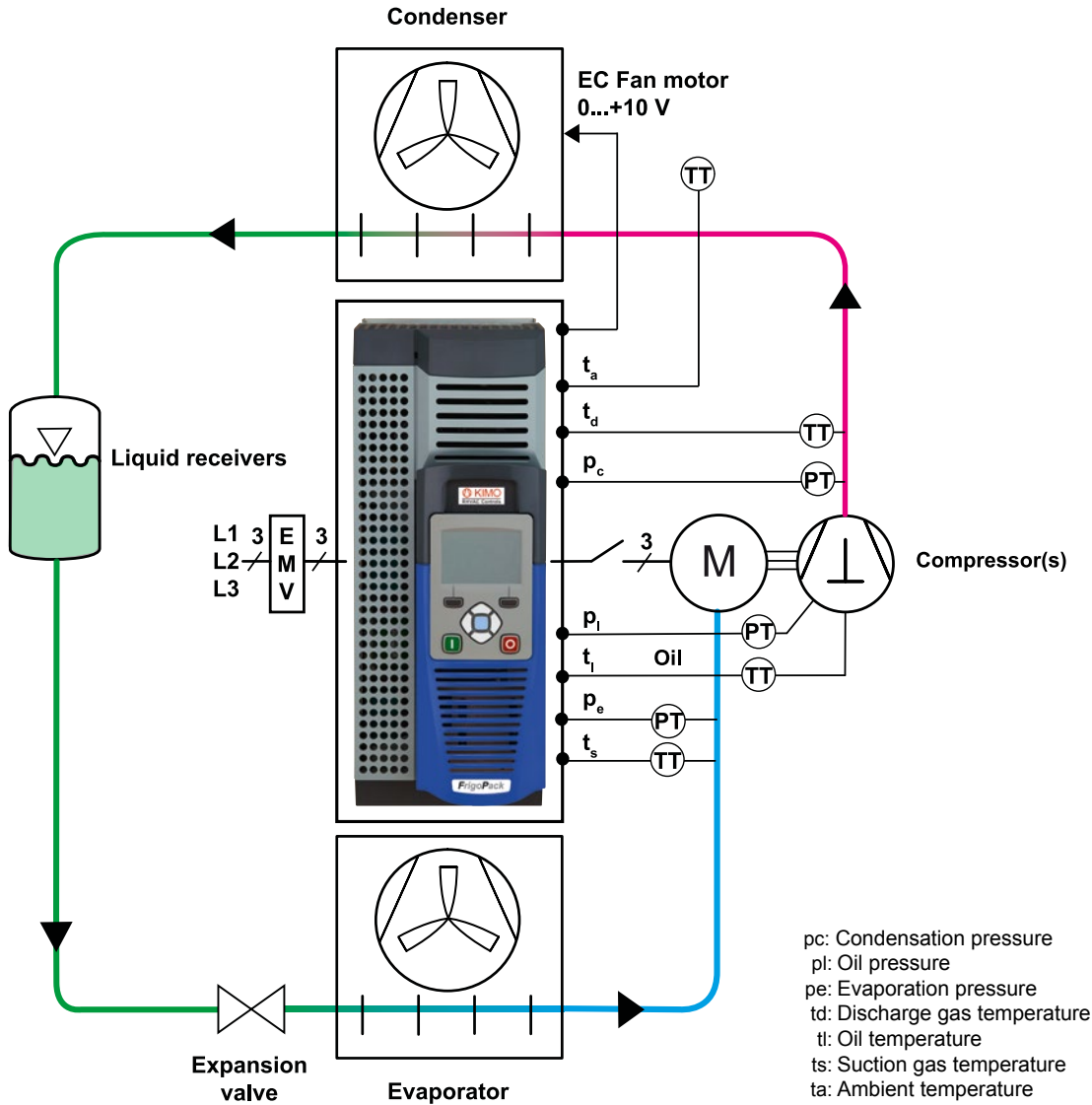


# FrigoPack® FU+

## Intelligent Refrigeration Inverters

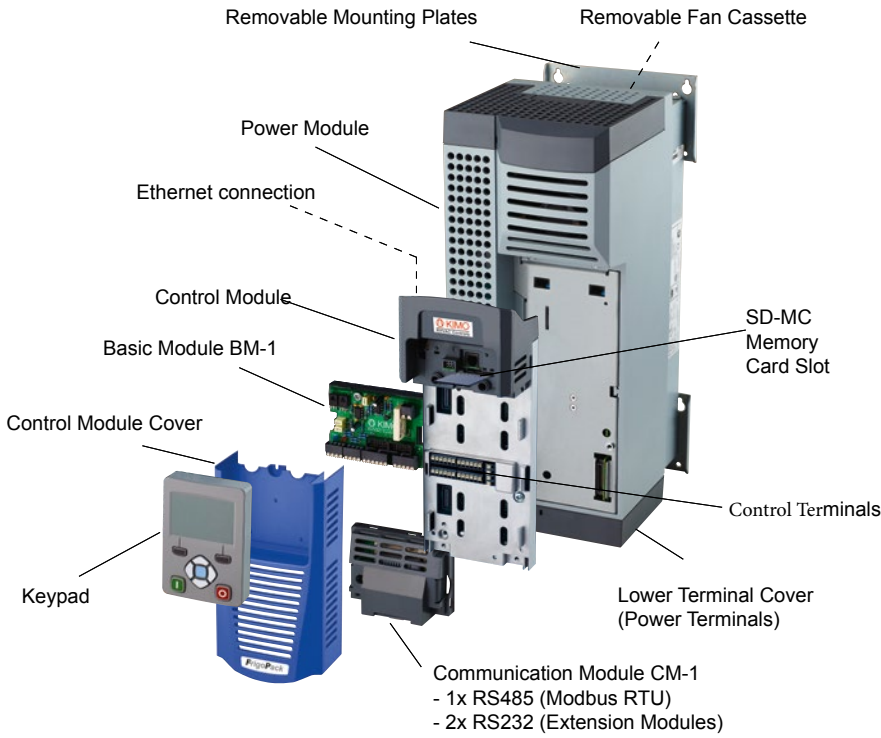
- ⓪ Efficient and energy-saving control of refrigeration compressors and condenser fans
- ⓪ One software version for all applications
- ⓪ Commissioning in 4 simple steps
- ⓪ Integrated compressor and refrigerant database
- ⓪ Floating Control depending on ambient temperature
- ⓪ Frequency Inverter with integrated webserver for monitoring of refrigeration control



*Keep Control!*

KIMO RHVAC Controls Ltd.  
Tel.: +49 911 8018778  
info@frigokimo.com  
www.frigokimo.com





## FrigoPack® FU+

Version IP20 for mounting in an electrical enclosure  
Supply voltage 380 V...480 V

### Available versions:

**FrigoPackEC FU+**  
Basic version for external control 0...+10V

**FrigoPackE FU+**  
Economy version for pe/pc control  
of 1 to 3 compressors, 4...20 mA

**FrigoPack FU+**  
Full version for pe/pc control with module C,  
extendable to ta, ts

Rated Current	Max. Current 3 s	Size	Product code		
			FrigoPackEC FU+	FrigoPackE FU+	FrigoPack FU+
5,5 A	9 A	D	FPEC FU+5.5	FPE FU+5.5	FP FU+5.5
12 A	20 A	D	FPEC FU+12	FPE FU+12	FP FU+12
16 A	24 A	E	FPEC FU+16	FPE FU+16	FP FU+16
23 A	32 A	E	FPEC FU+23	FPE FU+23	FP FU+23
32 A	46 A	F	FPEC FU+32	FPE FU+32	FP FU+32
38 A	64 A	F	FPEC FU+38	FPE FU+38	FP FU+38
45 A	76 A	G	FPEC FU+45	FPE FU+45	FP FU+45
60 A	90 A	G	FPEC FU+60	FPE FU+60	FP FU+60
73 A	120 A	G	FPEC FU+73	FPE FU+73	FP FU+73
87 A	146 A	H	FPEC FU+87	FPE FU+87	FP FU+87
105 A	174 A	H	FPEC FU+105	FPE FU+105	FP FU+105
145 A	210 A	H	FPEC FU+145	FPE FU+145	FP FU+145
180 A	290 A	J	FPEC FU+180	FPE FU+180	FP FU+180
205 A	360 A	J	FPEC FU+205	FPE FU+205	FP FU+205
260 A	410 A	J	FPEC FU+260	FPE FU+260	FP FU+260
315 A	520 A	K	FPEC FU+315	FPE FU+315	FP FU+315
380 A	630 A	K	FPEC FU+380	FPE FU+380	FP FU+380
440 A	760 A	K	FPEC FU+440	FPE FU+440	FP FU+440

Size	Weight (kg)	Dimensions (mm)		
		Width	Height	Depth
D	4,5	100	286	255
E	6,8	125	333	255
F	10,0	150	383	255
G	22,3	220	480	287
H	42,8	260	670	316
J	89,0	330	800	374
K	143,0	400	1310	459