

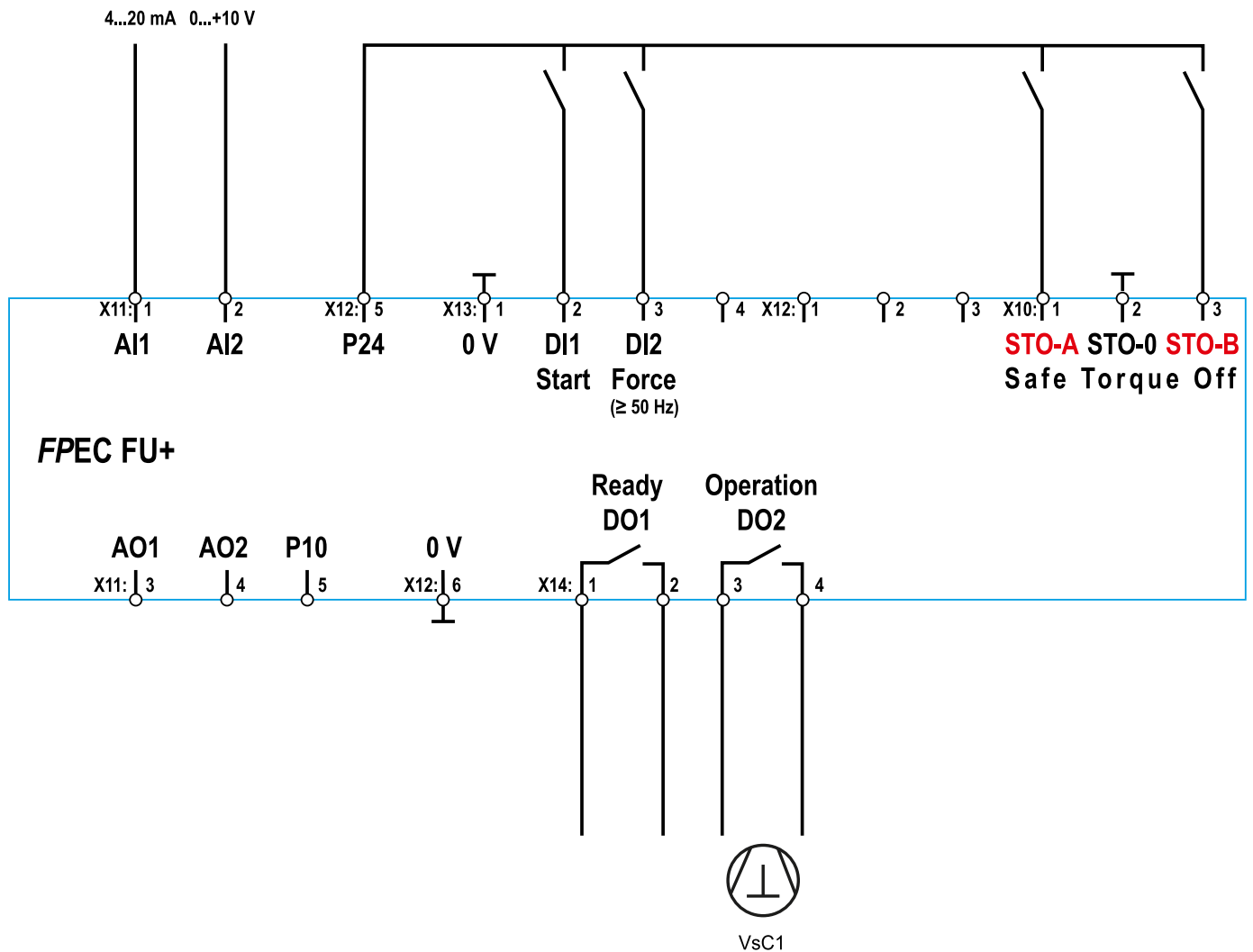
# FrigoPack® EC FU+/11 Quick-Start Guide (abbr. version)

## Refrigeration Inverters with external signal input - FrigoSoft 4.7 (0...+10 V / 4...20 mA)



**Warning:** This is an abbreviated and customized version with recommendations for a first setup of this product. Please refer to the document "Planning Guide *FrigoPack® EC FU+*" for detailed information on this frequency inverter.

### 0. FrigoPack® EC FU+ Connections



<b>X12:</b>	<b>X13:</b>	
1 2 3 4 5 6	1 2 3 4 5 6	4
<b>FP FU+</b>		3
1 2 3 4 5 6	1 2 3 4 5 6	2
<b>X11:</b>	<b>X10:</b>	1 <b>X14:</b>

**Terminal designations of FrigoPack® FU+**

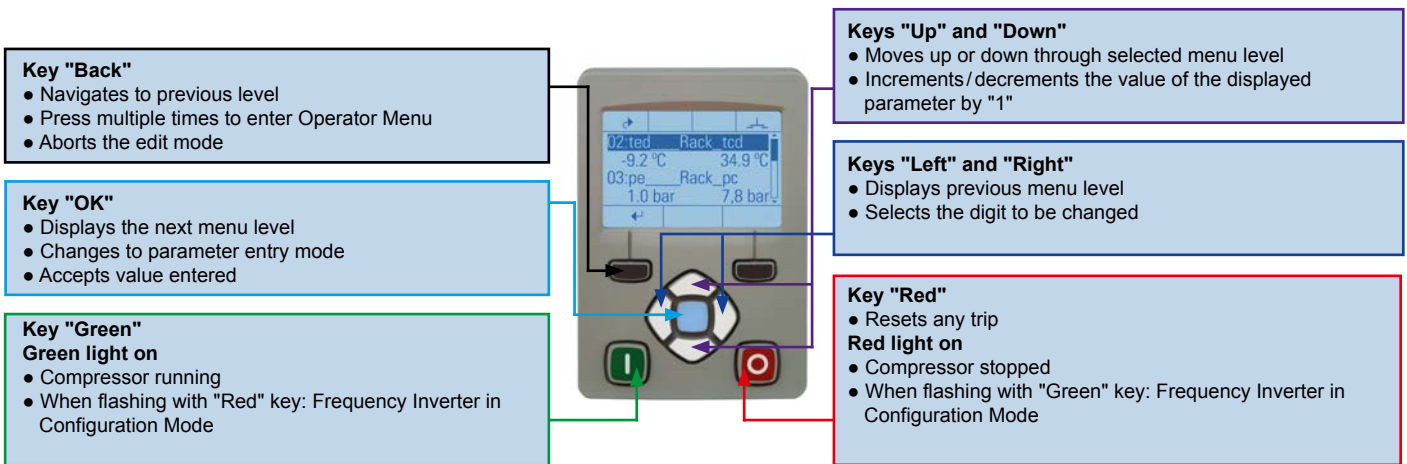
# 1. Basic information on first set-up

Ensure that all recommendations for compliance to mounting, electrical safety, EMC and UL regulations have been adhered to.

## 1.1 Recommendations

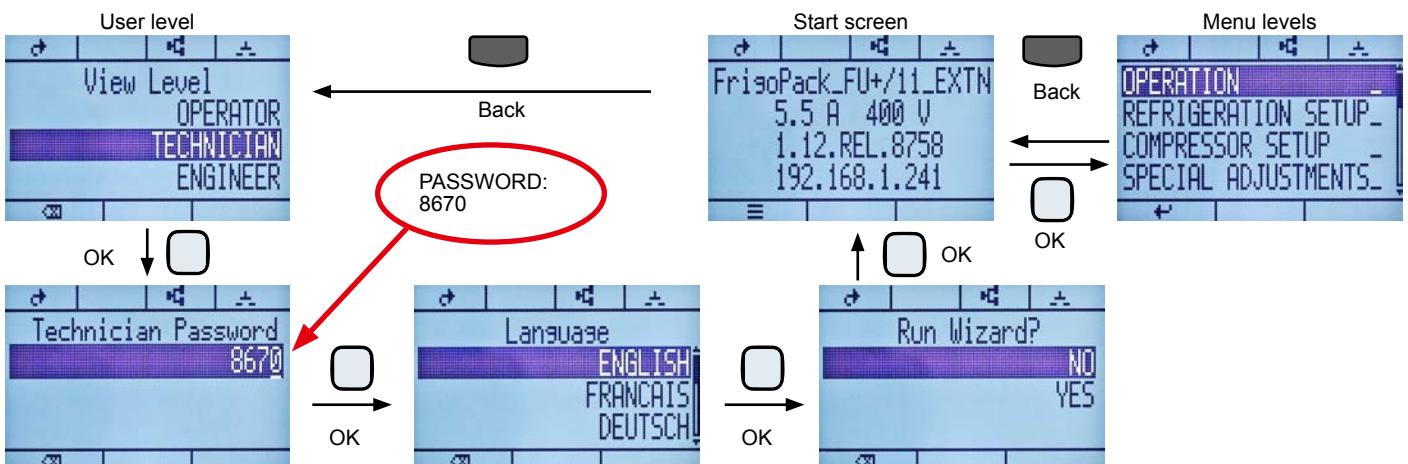
- It is important to ensure that an interlocked safety contactor is fitted between the Refrigeration Inverter and the compressor if a parallel bypass connection is used.
- In particular ensure that two isolated contacts of a safety relay are connected to the Safe-Torque-Off inputs of **FriigoPack® FU+** Refrigeration Inverter: STO-A (Terminal X10:1) / STO-B (Terminal X10.3)
- Remove start command (cable to terminal X13:2)
- Connect main power supply

## 1.2 Keypad functionality



## 1.3 Menus - Selection of user level for first set-up

After connection of the power supply the user level **TECHNICIAN** necessary for a first set-up is accessible for **10 minutes**. Please start setting-up now. After this period the inverter will automatically shift to user level **OPERATOR**. The steps shown below have to be followed for first set-up commissioning. Press key "Back" several times to access the menu "View Level". Password for user level **TECHNICIAN**: **8670**.



## 2. First set-up

The setting-up of this inverter can be done without an SD-MC card, as usually only 3 parameters are to be set: Maximum compressor current (parameter 61) as well as maximum and minimum motor frequencies (parameters 62 and 64). You may find these parameters in the menu COMPRESSOR SETUP.



### Caution:

When setting the value of parameter 61, keys "Green"- and "Red" are flashing permanently (configuration mode). Confirm your setting with key "OK" and then press key "Red" shortly in order to leave the configuration mode!

### Information:

The maximum and minimum motor frequency of the compressors depends on the refrigerant used. You can verify admissible values with our software **FriGoPack** - Select on [www.frigokimo.com](http://www.frigokimo.com).



Direct link

You may find more information on setting other frequency ranges in Planning Guide FrigoSoft 4.7 (page 5 "SPECIAL SETTINGS / DATA / Dt0...Dt1) delivered with your inverter.

**Connect start command (cable to terminal X13:2) to start the system!**